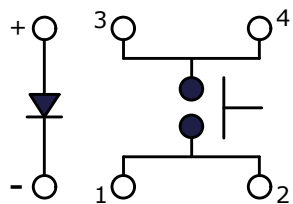


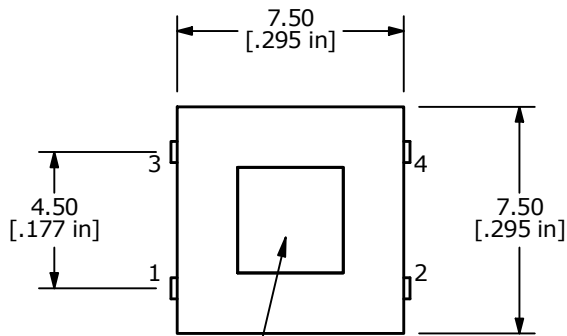
P.C.B. LAYOUT



CIRCUIT: SPST

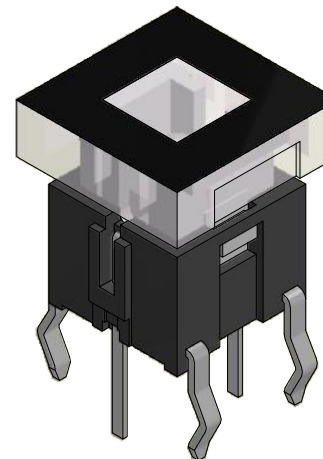
NOTES:

1. ALL DIMENSIONS IN MM
2. GENERAL TOLERANCE: X.X =  $\pm 0.4$   
X.XX =  $\pm 0.25$
3. RATING: 50mA @ 12VDC
4. TRAVEL: 0.25 +0.2/-0.1mm
- ▲ 5. OPERATING FORCE: 160  $\pm 50$ gf
6. CONTACT RESISTANCE: 100 Milli-Ohms Max
- ▲ 7. SHORTER LEAD (VIOLET COLOR) IS NEGATIVE (CATHODE)
8. ▲ DENOTES CRITICAL PARAMETER

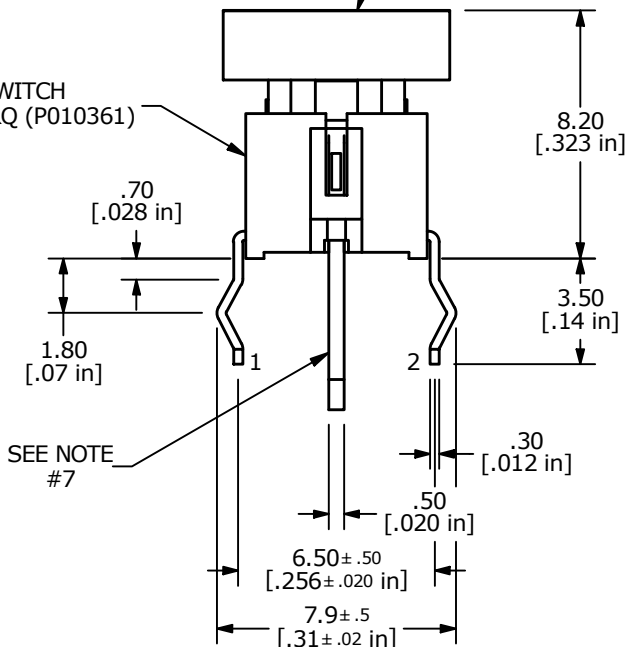


▲ LED COLOR: RED

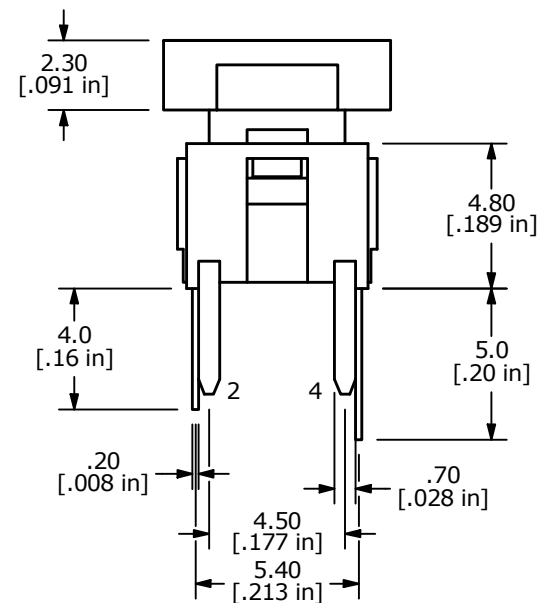
▲ CAP COLOR: BLACK  
2JBLK (P001020)



▲ SWITCH TL1240RQ (P010361)



SEE NOTE #7



LED SPECS	UNITS	RED
FORWARD CURRENT	mA	20
FORWARD VOLTAGE	V	1.8-2.5
LUMINOUS INTENSITY	MCD	150



B	24815	redrawn and updated	3/29/21	MW
A	11824	RELEASED FOR PRODUCTION	11/8/01	CJC
REV	PCR NO	DESCRIPTION	DATE	BY

TITLE TL1240RQ2JBLK				
SCALE	DATE	DR	DWG	REV
4:1	11/8/2001	CJC	XP0041P	B